



STAINLESS STEEL SOLAR LIGHTS

Model 92122

SET UP AND OPERATING INSTRUCTIONS



Diagrams within this manual may not be drawn proportionally.
Due to continuing improvements, actual product may differ slightly from the product described herein.

Distributed exclusively by Harbor Freight Tools®.

3491 Mission Oaks Blvd., Camarillo, CA 93011

Visit our website at: <http://www.harborfreight.com>



**Read this material before using this product.
Failure to do so can result in serious injury.
SAVE THIS MANUAL.**

Copyright© 2007 by Harbor Freight Tools®. All rights reserved. No portion of this manual or any artwork contained herein may be reproduced in any shape or form without the express written consent of Harbor Freight Tools.

For technical questions or replacement parts, please call 1-800-444-3353.

SAVE THIS MANUAL

Keep this manual for the safety warnings and precautions, assembly, operating, inspection, maintenance and cleaning procedures. Write the product's serial number in the back of the manual near the assembly diagram (or month and year of purchase if product has no number). Keep this manual and the receipt in a safe and dry place for future reference.

General Safety Rules



WARNING! Read all instructions. Failure to follow all instructions listed below may result in injury.

SAVE THESE INSTRUCTIONS

1. **Work area safety**
 - a. Keep work area clean and well lit. *Cluttered or dark areas invite accidents.*
 - b. **Keep children and bystanders away while servicing the Lights. Distractions can cause you to lose control.**
2. **Personal safety**
 - a. Stay alert, watch what you are doing and use common sense when installing the Lights. Do not install while you are tired or under the influence of drugs, alcohol or medication.
 - b. **Use safety equipment. Always wear eye protection. Safety equipment such as dust mask and work gloves used for appropriate conditions will reduce personal injuries.**
3. **Light use and care**
 - a. Do not use the Light if the switch does not turn it on and off. *Any*

product that cannot be controlled with the switch is dangerous and must be repaired.

- b. **Disconnect the battery before storing the Lights.**
 - c. Maintain the Lights. Check for misalignment or breakage of parts and any other condition that may affect operation. If damaged, have the Light repaired before use.
5. **Service**
- a. Have your Lights serviced by a qualified repair person using only identical replacement parts.

Specific Safety Rules

1. Maintain labels and nameplates on the tool. These carry important safety information. If unreadable or missing, contact Harbor Freight Tools for a replacement.
2. This product is not a toy. Keep it out of reach of children.
3. Dispose of batteries in a manner appropriate to their type according to State, Local and Federal laws and regulations.
4. The warnings, precautions, and instructions discussed in this instruction manual cannot cover all possible conditions and situations that may occur. It must be understood by the operator that common sense and caution are factors which cannot be built into this product, but must be supplied by the operator.



SAVE THESE INSTRUCTIONS.

SPECIFICATIONS

Battery	Ni-cd, AA 1.2V, 600mAh (included)
Included	2 Stainless Steel Solar Lights

UNPACKING

When unpacking, check to make sure that the item is intact and undamaged. If any parts are missing or broken, please call Harbor Freight Tools at the number shown on the cover of this manual as soon as possible.

INITIAL SET UP INSTRUCTIONS



Read all warning sections at the beginning of this manual including all text under subheadings therein before set up or use of this product.

Note: For additional information regarding the parts listed in the following pages, refer to the Assembly Diagram near the end of this manual.

1. Unscrew the lens of the Head Fixture. Remove the four screws on the bottom of the Fixture. Open the battery compartment to verify that battery polarity is correct. Be careful not to pull on the wires connected to the casing, damaging the wires will render the unit dysfunctional. Close the unit and replace the screws.
2. Push the power switch to the ON position. Replace the lens.
3. Examine the area where the Solar Light is to be placed. Make sure there are no utility lines beneath the surface that might be damaged. For

best results, the Lights should be placed in an area that receives at least eight hours of direct sunlight per day.

4. Place a Spike onto a Connector and then into the Shaft.
5. Push the unit firmly into the ground.
6. The Solar Light can be placed on the Shaft now.
7. Repeat these steps to assemble the other light.

OPERATING INSTRUCTIONS

1. Allow the Light to charge for a full day in direct sunlight, before first use. **Note:** The on/off switch must be in the ON position when charging.
2. The Solar Light will turn on automatically when it gets dark, and provide illumination for up to eight hours.
3. Do not install the Solar Light near a nighttime light source. A bright light source will prevent the Light from turning on at night.
4. To store the unit, turn off the Light and disconnect its power supply after use. Clean, then store the Light indoors out of children's reach.

MAINTENANCE AND SERVICING



Procedures not specifically explained in this manual must be performed only by a qualified technician.

Cleaning, Maintenance, and Lubrication

1. **BEFORE EACH USE**, inspect the general condition of the tool. Check for loose screws, misalignment or binding of moving parts, cracked or broken parts, damaged electrical wiring, and any other condition that may affect its safe operation.
2. **Periodically**, clean external surfaces of the Light with clean, moist cloth. For best operation, clean the Solar Panel on the top of the Cap, so that the battery will charge efficiently.
3. Change the battery every year.
4. Dispose of the battery in a manner consistent with State, Local and Federal laws and regulations. Check with your local hazardous waste disposal facility for instructions.

TROUBLESHOOTING

The performance of solar light depends on the amount of direct sunlight available during daylight hours. If your solar light does not operate properly, refer to possible reasons listed below:

DIM LIGHT:

1. The On/Off switch contacts may be poor. Turn the switch on and off several times to alleviate the problem.
2. The battery may be low or under-charged. Shadows will prevent the solar panel from fully absorbing sunlight, such as tree branches, any

shadow from trees, buildings, etc. Make sure the lights are located in an unobstructed location where they can receive 8 hours of sunlight a day. Allow the battery to recharge for 2 full, sunny days. Overcast days will limit performance.

3. Dirty solar panel (on top of the Cap). A dirty solar panel will not allow the unit to charge and will shorten the life of the battery. Use a soft, moist cloth to clean the solar panel. Do not use bleaches or detergents.

NO LIGHT:

1. The On/Off switch may be in the OFF position. Turn it to the ON position.
2. An external light source (i.e. streetlight, porch light, flood light) may prevent the light from automatically turning on at night. Reposition the Solar Light. Ensure the photocell of the solar light is not affected by any other light sources.
3. Battery may need recharging. Check the battery to ensure it is connecting with the terminals.

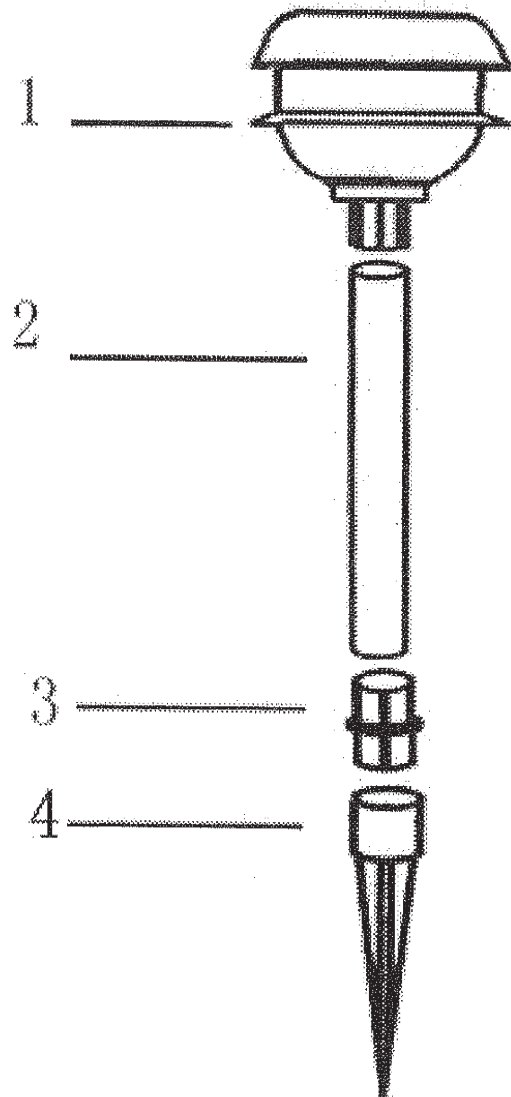
PLEASE READ THE FOLLOWING CAREFULLY

The manufacturer and/or distributor has provided the parts list and assembly diagram in this manual as a reference tool only. Neither the manufacturer or distributor makes any representation or warranty of any kind to the buyer that he or she is qualified to make any repairs to the product, or that he or she is qualified to replace any parts of the product. In fact, the manufacturer and/or distributor expressly states that all repairs and parts replacements should be undertaken by certified and licensed technicians, and not by the buyer. The buyer assumes all risk and liability arising out of his or her repairs to the original product or replacement parts thereto, or arising out of his or her installation of replacement parts thereto.

PARTS LIST

Part	Description	Qty
1	Fixture	2
2	Shaft	2
3	Connector	2
4	Spike	2

ASSEMBLY DIAGRAM



Record Product's Serial Number Here: _____

Note: If product has no serial number, record month and year of purchase instead.

Note: Some parts are listed and shown for illustration purposes only, and are not available individually as replacement parts.